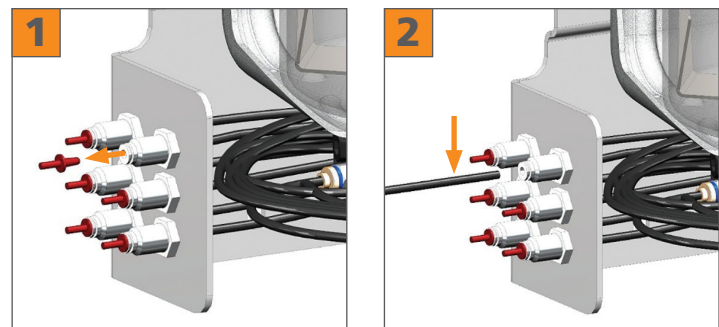
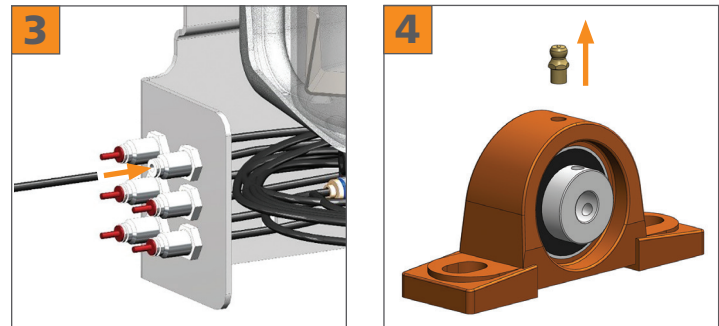


Connecting Lube Lines



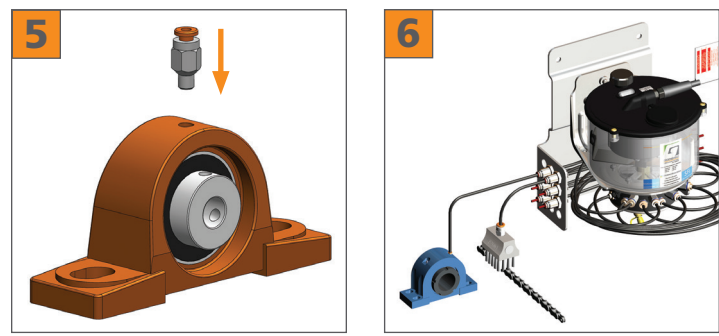
1 Remove bulkhead plug

2 Position lubrication line from bearing fitting



3 Insert lubrication line into bulkhead fitting

4 Remove existing grease fitting

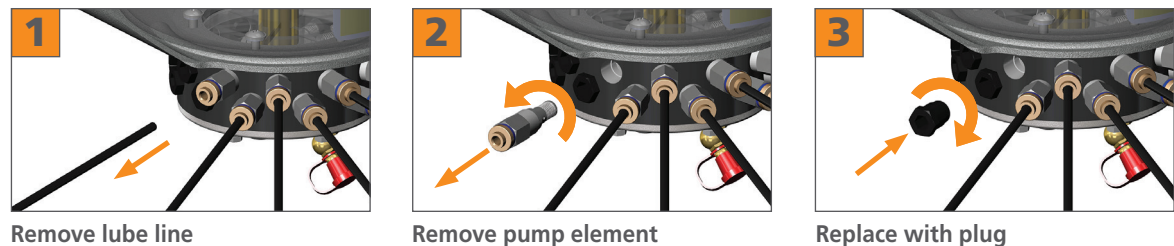


5 Replace with appropriate fitting

6 Route lube lines to appropriate bearings/components

Note: Temporary bulkhead plugs prevent dust from entering and reduce leakage during shipping or storage.

Reducing Lube Points

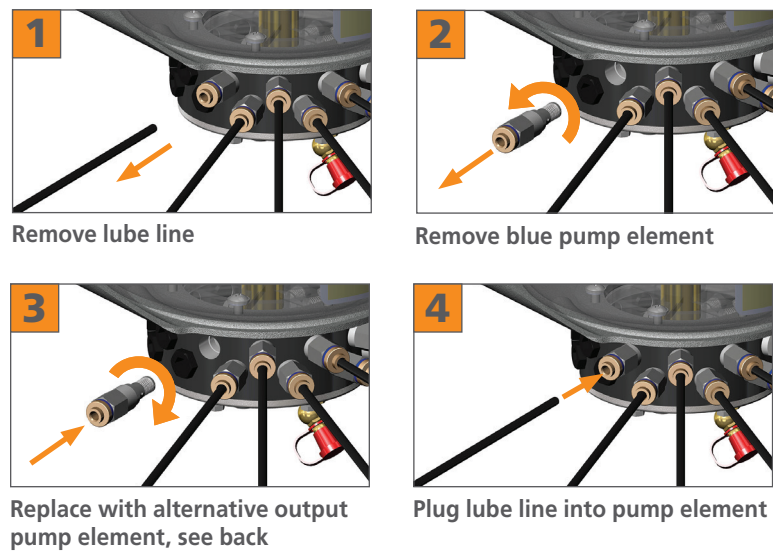


1 Remove lube line

2 Remove pump element

3 Replace with plug

Adjusting Output



1 Remove lube line

2 Remove blue pump element

3 Replace with alternative output pump element, see back

4 Plug lube line into pump element

Filling Pump



Pour lubricant in the top fill. Oil & NLGI #000 greases ONLY.

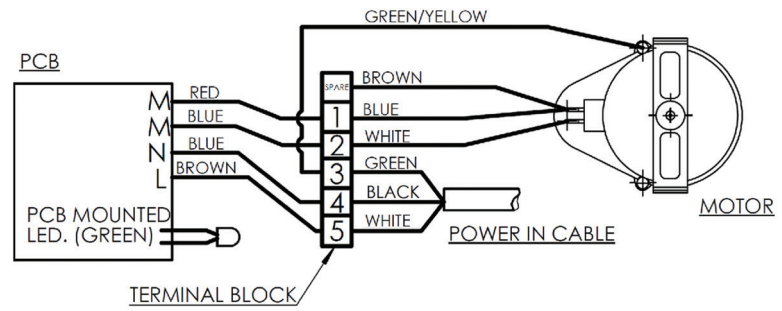
With grease gun or pump, fill at the zerk fitting. NLGI #1 and #2 ONLY.



For quick selection and output calculations, open the mobile web app. MultiLineSF.com



SFi Electrical Information



Voltage: 110/220VAC (50/60Hz)
Power Rating: 4VA
Fuse Rating: 1A
IP Rating: IP66

Green = Ground
Black = Negative (-0V)
White = Positive (+110V)

Grease Compatibility

Lubricant Viscosity	Minimum Working Temperature	
	Other commercially available lithium grease	Groeneveld GreenLube for MultiLine
	Minimum Temperature	GreenLube Grease
NLGI-2	14°F (-10°C)	N/A
NLGI-1	9°F (-12.8°C)	GreenLube EP-1
NLGI-0	2°F (-16.7°C)	GreenLube EP-0
NLGI-00	-8°F (-16.7°C)	N/A
NLGI-000	-29°F (-33.9°C)	N/A
SAE80/90	-40°F (-40°C)	N/A

Lubricants containing solid additives such as PTFE (Teflon), graphite, molybdenum disulphide (MoS2) or bentonite/bentonite (clay) based greases can cause blockages in the system and should not be used.

WARNING
www.timken.com/warnings

Alternative Pump Elements & Output

Timer	Run Time	Delay Time	Cycle Time	Pump Elements Output (cc/hour)					
				P-R010 Red	P-G015 Green	P-Y025 Yellow	P-B040 Blue	P-G060 Gray	P-B100 Black
0	6 min	6 min	12 min	0.050	0.075	0.125	0.200	0.300	0.500
1	6 min	15 min	21 min	0.029	0.044	0.073	0.116	0.174	0.290
2	6 min	30 min	36 min	0.017	0.025	0.042	0.067	0.100	0.167
3	6 min	60 min	66 min	0.009	0.014	0.023	0.036	0.055	0.091

NOTE: Preset from factory at #3 timer setting. Red, green, yellow, grey, and black pump elements sold separately.

Spare Parts and Accessories

Part Number	Description
MSF-P-R010	Red Pump Element – 0.010cc/stroke – (3 pack)
MSF-P-G015	Green Pump Element – 0.015cc/stroke – (3 pack)
MSF-P-Y025	Yellow Pump Element – 0.025cc/stroke – (3 pack)
MSF-P-B040	Blue Pump Element – 0.040cc/stroke – (3 pack)
MSF-P-G060	Grey Pump Element – 0.060cc/stroke – (3 pack)
MSF-P-B100	Black Pump Element – 0.100cc/stroke – (3 pack)
MSF-A-BP10	Blanking Plug (10 pack)
MSF-A-QF	Quick Fill Coupler Assembly
MSF-T-4N50E	4mm OD Tubing – Unprimed – 50ft/roll
MSF-T-4N50G	4mm OD Tubing – Primed – Grease – 50ft/roll
MSF-T-4N50F	4mm OD Tubing – Primed – Food Grade Grease – 50ft/roll
F230229*	GreenLube EP-0 Grease – 35lb Pail
F801299*	GreenLube EP-1 Grease – 35lb Pail

* Available direct from Groeneveld-BEKA



4700 Lyons Road, Dayton, OH 45342
 Phone: 937-276-4507 | FAX: 937-276-4518
 Email: custserv-dayton@groeneveld-beka.com
www.groeneveld-beka.com/US